

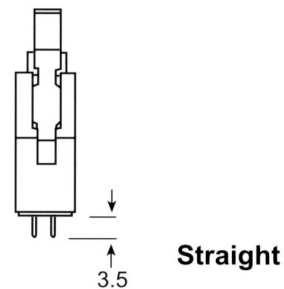
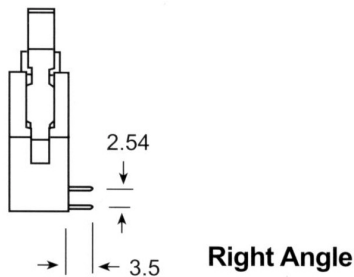
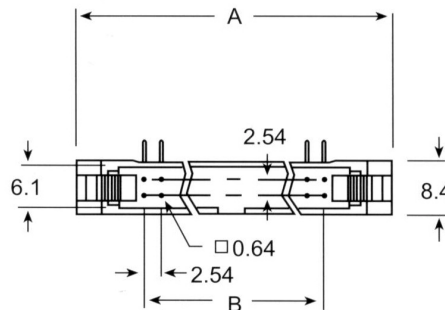
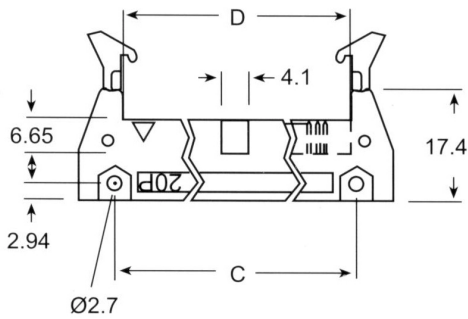
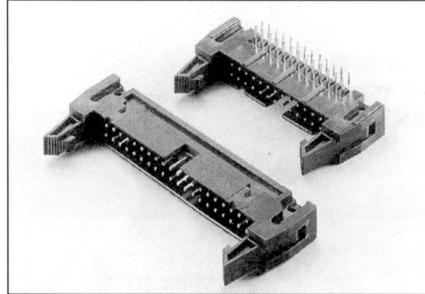
P.C. BOARD HEADER CONNECTOR WITH LATCHES 2.54mm (0.100")

Specifications:

Contact Resistance: 30mΩmax.at DC 100mA
Insulator Resistance: 1000MΩmin.at DC 500V
Current Rating: 1 AMP

Dielectric Withstanding

Voltage: AC 500V For 1 minute
Operating Temperature: -55°C ~ +105°C
Contact: Brass
Housing: PBT & 30% Glass Fiber (UL 94V-O)



Dimension

Position	A	B	C	D
10	32.00	10.16	21.84	17.96
12	34.54	12.70	24.38	20.50
14	37.08	15.24	26.92	23.04
16	39.62	17.78	29.46	25.58
20	44.70	22.86	34.54	30.66
26	52.32	30.48	42.16	38.28
30	57.40	35.56	47.24	43.36
34	62.48	40.64	52.32	48.44
40	70.10	48.26	59.94	56.60
50	82.80	60.96	72.64	68.76
60	95.50	73.66	85.34	81.46
64	100.58	78.74	90.42	86.54